

# **Video Decoder**

## Quick Guide


Manual Version: V1.00

Thank you for purchasing our product. If there are any questions, or requests, please do not hesitate to contact the dealer.

## Copyright

Copyright 2016 Zhejiang Uniview Technologies Co., Ltd. All rights reserved. No part of this manual may be copied, reproduced, translated, or distributed in any form or by any means without prior consent in writing from our company.

## Trademark Acknowledgement

 and other Uniview's trademarks and logos are the property of Zhejiang Uniview Technologies Co., Ltd. Other trademarks, company names and product names contained in this manual are the property of their respective owners.

## Disclaimer



### CAUTION!

The default password is used for your first login. To ensure account security, please change the password after your first login. You are recommended to set a strong password (no less than eight characters).

---

- To the maximum extent permitted by applicable law, the product described, with its hardware, software, firmware and documents, is provided on an "as is" basis.
- Best effort has been made to verify the integrity and correctness of the contents in this manual, but no statement, information, or recommendation in this manual shall constitute formal guarantee of any kind, expressed or implied. We shall not be held responsible for any technical or typographical errors in this manual. The

contents of this manual are subject to change without prior notice. Update will be added to the new version of this manual.

- Use of this manual and the product and the subsequent result shall be entirely on the user's own responsibility. In no event shall we be liable for any special, consequential, incidental, or indirect damages, including, among others, damages for loss of business profits, business interruption, or loss of data or documentation, or product malfunction or information leakage caused by cyber attack, hacking or virus in connection with the use of this product.
- Video and audio surveillance can be regulated by laws that vary from country to country. Check the law in your local region before using this product for surveillance purposes. We shall not be held responsible for any consequences resulting from illegal operations of the device.
- The illustrations in this manual are for reference only and may vary depending on the version or model. The screenshots in this manual may have been customized to meet specific requirements and user preferences. As a result, some of the examples and functions featured may differ from those displayed on your monitor.
- This manual is a guide for multiple product models and so it is not intended for any specific product.
- Due to uncertainties such as physical environment, discrepancy may exist between the actual values and reference values provided in this manual. The ultimate right to interpretation resides in our company.




## **Environmental Protection**

This product has been designed to comply with the requirements on environmental protection. For the proper storage, use and disposal of this product, national laws and regulations must be observed.




# Safety and Compliance Information

## Safety Symbols

The symbols in the following table may be found on installation-related equipment. Be aware of the situations indicated and take necessary safety precautions during equipment installation and maintenance.

Symbol	Description
	Generic alarm symbol: To suggest a general safety concern.
	ESD protection symbol: To suggest electrostatic-sensitive equipment.
	Electric shock symbol: To suggest a danger of high voltage.

The symbols in the following table may be found in this manual. Carefully follow the instructions indicated by the symbols to avoid hazardous situations and use the product properly.

Symbol	Description
 <b>WARNING!</b>	Indicates a hazardous situation which, if not avoided, could result in bodily injury or death.
 <b>CAUTION!</b>	Indicates a situation which, if not avoided, could result in damage, data loss or malfunction to product.
 <b>NOTE!</b>	Indicates useful or supplemental information about the use of product.

## Safety Information

Installation and removal of the unit and its accessories must be carried out by qualified personnel. Please read all of the safety instructions below before installation and operation.

- This device is a class A product and may cause radio interference. Take measures if necessary.
- While shipping, the device should be packed in its original packing.
- Verify that installation is correct. Incorrect cable connection may cause personal injury or device damage.
- The installation must be made by qualified personnel and should conform to all the local codes.
- If the product does not work properly, please contact your dealer. Never attempt to disassemble the device yourself. We shall not assume any responsibility for problems caused by unauthorized repair or maintenance.
- Ensure a proper operating environment, including temperature, humidity, ventilation and power supply. Make sure the device is properly grounded and the lightning protection meets requirements. Keep the device from moisture, dust, strong electromagnetic radiation and vibration.
- Power down the device before connecting and disconnecting accessories and peripherals.
- Protect the power cable from being stepped on or pressed, particularly at the plug, receptacle, and the part leading out of the device.
- Strictly follow the procedure to shut down the device. Sudden power failures can cause disk damage and functional abnormalities. In an environment where power supply is frequently interrupted, use an Uninterrupted Power Supply (UPS).
- Improper use or replacement of the battery may result in hazard of explosion. Use the manufacturer recommended battery.
- Take necessary measures to ensure data security and protect the device from network attack and hacking (when connected to Internet). Possible risks and consequences are at user's sole discretion.



## WARNING!



- Never look at the transmit laser while the power is on. Never look directly at the fiber ports and the fiber cable ends when they are powered on.
  - Use of controls or adjustments to the performance or procedures other than those specified herein may result in hazardous laser emissions.
- 

## Regulatory Compliance

### FCC Part 15

This equipment has been tested and found to comply with the limits for digital device, pursuant to part 15 of the FCC Rules. These limits are designed to provide reasonable protection against harmful interference when the equipment is operated in a commercial environment. This equipment generates, uses, and can radiate radio frequency energy and, if not installed and used in accordance with the instruction manual, may cause harmful interference to radio communications. Operation of this equipment in a residential area is likely to cause harmful interference in which case the user will be required to correct the interference at his own expense.

This product complies with Part 15 of the FCC Rules. Operation is subject to the following two conditions:

1. This device may not cause harmful interference.
2. This device must accept any interference received, including interference that may cause undesired operation.

## **LVD/EMC Directive**



This product complies with the European Low Voltage Directive 2006/95/EC and EMC Directive 2004/108/EC.

## **WEEE Directive–2002/96/EC**



The product this manual refers to is covered by the Waste Electrical & Electronic Equipment (WEEE) Directive and must be disposed of in a responsible manner.

# Contents

---

<b>1 Overview.....</b>	<b>1</b>
Packing List.....	1
Appearance.....	1
LEDs.....	2
<b>2 Installation.....</b>	<b>3</b>
Preparation .....	3
Installing the Dual-SFP Module .....	4
Indoor Installation.....	4
Outdoor Installation.....	5
Cable Connection .....	5
Connecting Cables on the Front Panel .....	6
Connecting Cables on the Rear Panel.....	6
Connecting Audio and Alarm Cables .....	7
Verification.....	8
Starting Up the Device .....	8
<b>3 Login.....</b>	<b>8</b>



# 1 Overview

---

The video decoder (referred to as device hereafter) is a new-generation network media terminal designed mainly for remote video surveillance. The device can be used with other devices (such as camera) to capture video images and collect audio from a remote location in real time.

This guide describes the hardware of the device, how to install it, and how to access it on a web browser.

## Packing List

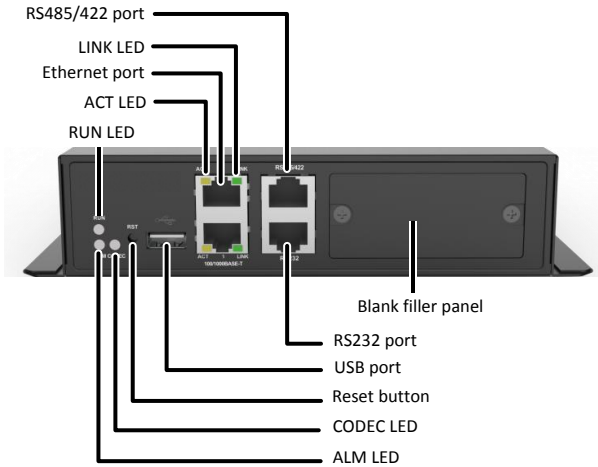
Please check the items in your package carefully. Contact your dealer if anything is missing or damaged.

- Decoder
- Phoenix connector terminals (2 pcs)
- Mounting brackets (1 pair)
- User document

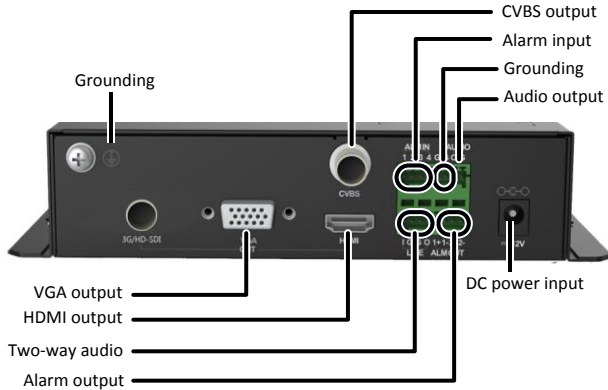
## Appearance

The figures are only for reference and may be different from the actual device.

**Figure 1-1 Front view**



**Figure 1-2 Rear view**



## LEDs

**Table 1-1 LED Descriptions**

LED	Description
RUN	Blinks: The device is starting up.

LED	Description
	On: The device is operating.
	Off: The device is shut down.
ALM	On: A device alarm (e.g., temperature alarm) has occurred.
	Off: No device alarm.
CODEC	Blinks: The device is decoding.
	Off: The device is not decoding.
ACT	Blinks: The device is transmitting data.
	Off: The device is not transmitting data.
LINK	On: The device is connected to network.
	Off: The device is not connected to network.

## 2 Installation

---

### Preparation

Before you start, check against the packing list to ensure all items are complete.



#### **WARNING!**

- Do not remove the seal tape on the device chassis. Do not open or disassemble the device. Contact your local dealer if you need assistance. We shall not be responsible for damage caused by unauthorized repair or maintenance.
  - Do not connect power before installation and cable connection are completed.
- 

For indoor use, make sure the following requirements are met:

- Proper lightning protection for power and other ports (audio, video, RS485, etc).
- Proper grounding through the grounding terminal. For details, please refer to the *DVS\_DC Cable Connection Guide*.

For outdoor use, check that the above requirements are met, and an outdoor protection box is ready.

## Installing the Dual-SFP Module

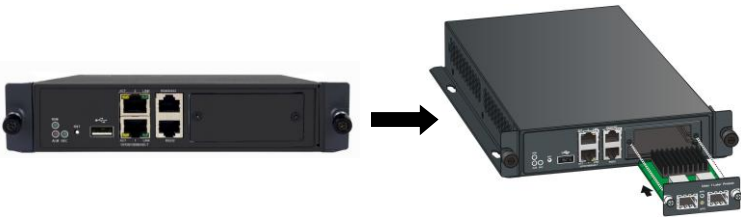
---



### CAUTION!

- Disconnect power before installing the dual-SFP module.
  - Choose a dual-SFP module recommended by your dealer.
- 

Loosen the screws and remove the blank filler panel. Then, insert the dual-SFP module and fasten the screws.



## Indoor Installation

Install the device in a rack with a frame or holder. If neither frame nor holder is available, make sure the device is installed securely, and allow sufficient space on both sides for heat dissipation. Do not stack other devices on the device.

The steps are as follows. Refer to the *Video Encoder/Decoder Frame Installation Guide* or the *1U Holder Installation Guide* for details.

1. Install mounting brackets.



2. Install the device in the rack.

## Outdoor Installation



### NOTE!

Choose a protection box that meets standards. Please refer to the *DVS\_DC Cable Connection Guide* for details.

Use screws to secure the device in the protection box, with ventilation openings facing upward and downward. Keep at least 10 cm free space above and below the ventilation openings to ensure effective heat dissipation.

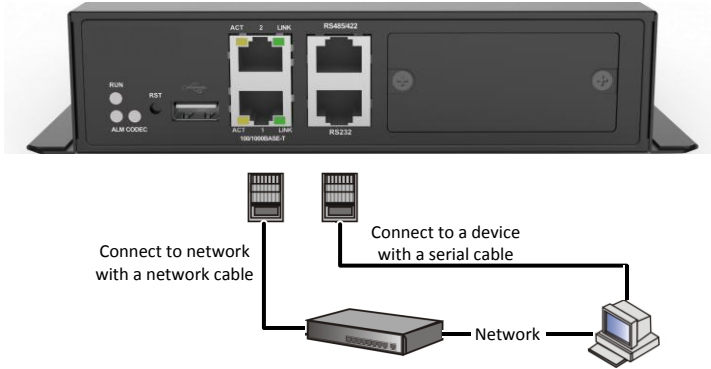
## Cable Connection



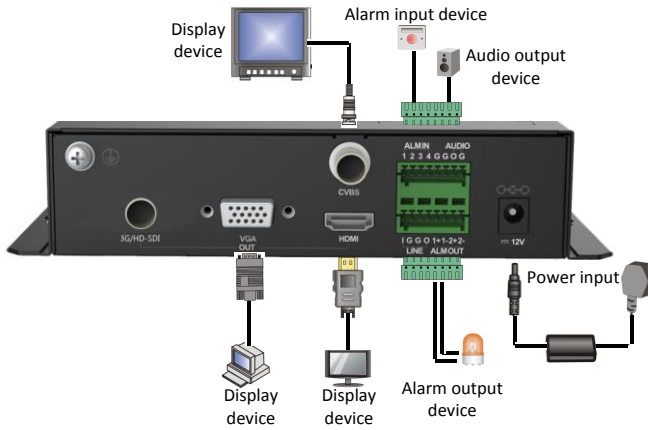
### CAUTION!

- Disconnect power before connecting cables.
- Choose cables that meet standards. Please refer to the *DVS\_DC Cable Connection Guide* for details.

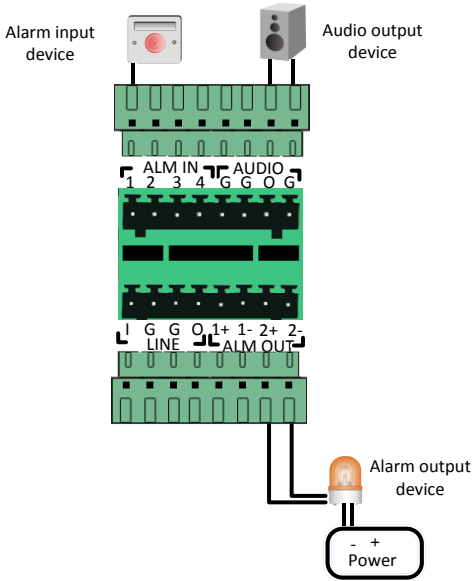
## Connecting Cables on the Front Panel



## Connecting Cables on the Rear Panel



## Connecting Audio and Alarm Cables



### NOTE!

The alarm output device shall use a DC power supply, and the voltage and current must not exceed 12 V and 0.7 A.

**Table 2-1** Phoenix Connector Terminal Description

Terminal	Description
ALM IN: 1–4	Alarm input.
AUDIO: O, G	Audio output. O for audio signal output, and G for grounding.
LINE: 1, G, G, O	Reserved.
ALM OUT: 1+, 1-, 2+, 2-	Alarm output.
G	Grounding.

## Verification

---



### **WARNING!**

Installation and cable connection must be completed properly before the device is connected to power. Otherwise, bodily injury or device damage may occur.

---

Verify the following before connecting the device to power:

- The device is properly installed.
- The device is grounded properly, and all cables are connected correctly.
- The power input voltage is stable.

## Starting Up the Device

After you complete the above procedures, connect the device to power.

Check the operation status according to [Table 1-1](#).

## 3 Login

---

You can access the device using a Web browser from a computer.

Before you start, check that:

- The device is operating properly.
- The computer is connected to the device on a network.
- The computer is installed with Microsoft Internet Explorer (IE) 7.0 or higher, and no proxy server is being used.



**NOTE!**

- The default IP address is **192.168.0.14**, the default subnet mask is **255.255.255.0**, and the default gateway address is **192.168.0.1**.
  - Use **admin** as the username and password for your first login. Change the default password on the **User** page to ensure security.
- 

Follow the steps to log in to the device:

1. Open the IE and then enter the IP address of the device in the address bar.
2. On the login page, enter your username and password and then click **Login**.
3. When logged in, manage and configure the device as needed. To log out, click **Exit** in the upper right corner.

BOM: 3101C0E9